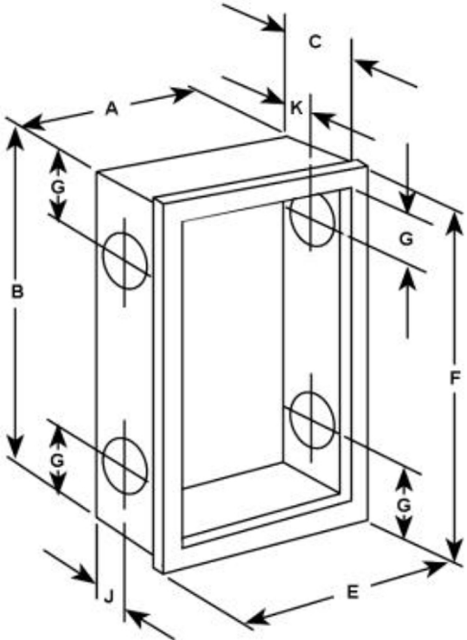
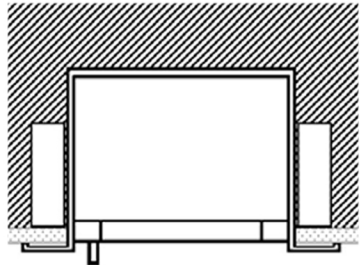


RECESSED ALUMINUM FLAT TRIM SUBMITTAL : DIMENSIONS

DOOR SERIES #	Tub I.D.			Frame O.D.		Wall Opening			Knockout Locations		
	A	B	C	E	F	W	H	D	J	G	H
6025	24	30	6	27 3/8	33 3/8	25	31	5 7/8	2 1/2	4	2 1/2
6125	24	30	8	27 3/8	33 3/8	25	31	7 7/8	4	4	2 1/2
6225	24	34 3/4	6	27 3/8	38 1/8	25	35 3/4	5 5/8	2 1/2	4	2 1/2
6425	24	34 3/4	8	27 3/8	38 1/8	25	35 3/4	7 7/8	4	4	2 1/2
6625	24	38 3/4	8	27 3/8	42 1/8	25	39 3/4	7 7/8	4	4	2 1/2
6325	30	30	8	33 3/8	33 3/8	31	31	7 7/8	4	4	2 1/2
6525	32 3/4	34 3/4	8	36 1/8	38 1/8	33 3/4	35 3/4	7 7/8	4	4	2 1/2
7225	32 3/4	38 3/4	8	36 1/8	42 1/8	33 3/4	39 3/4	7 7/8	4	4	2 1/2



Top View



K.O.s provided centered, one, side, top and bottom
 ---ther side offset, top and bottom